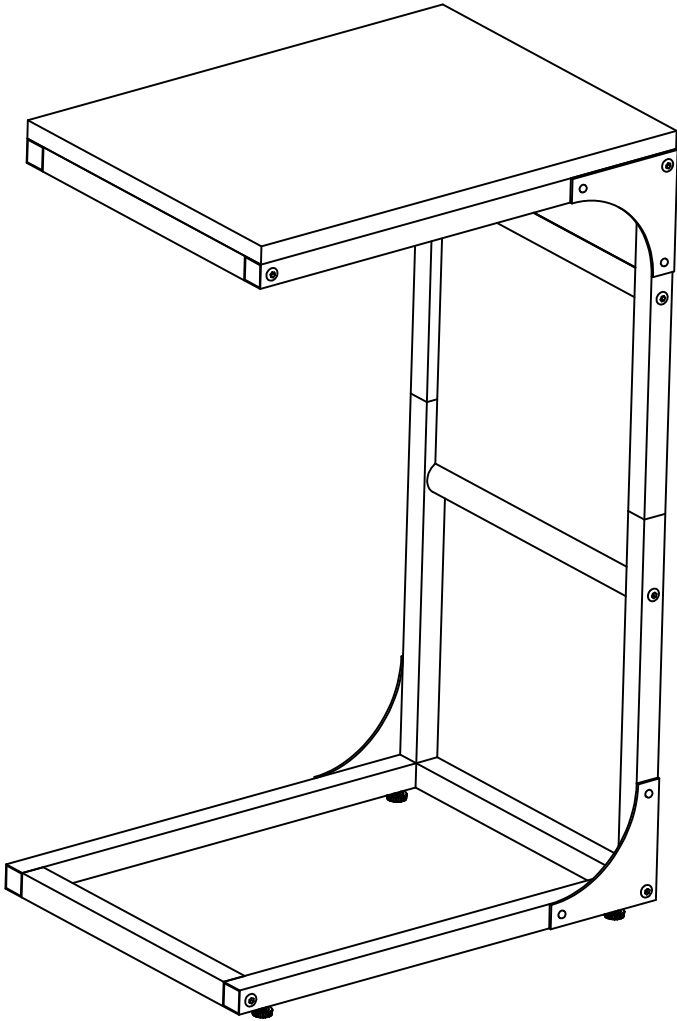




# 020





## User's Manual

- Please read the following instructions carefully and use the product correctly
- Please keep this manual when transferring products
- This manual not contain all conditions and every steps details. For more information and assistance, please contact us

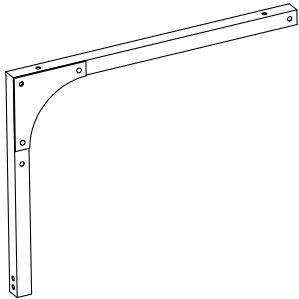
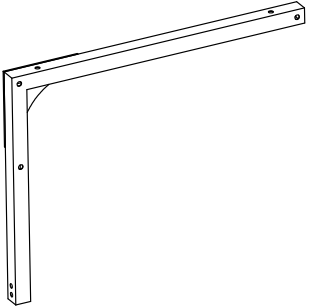
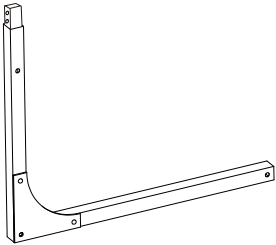
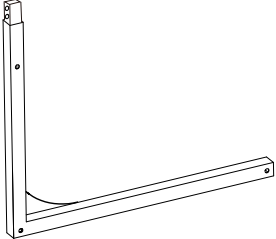
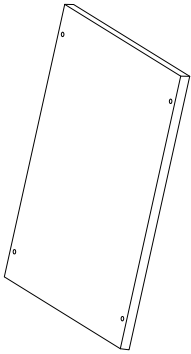
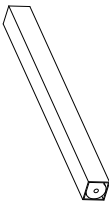
## Considerations

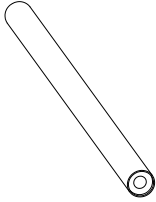
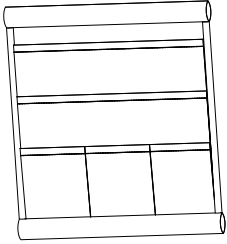
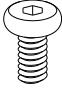
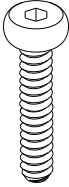
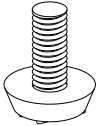
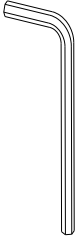
- Use indoors only. Make sure to install and use according to the instruction. If not, the manufacturer will not be liable for any injury
- In a dry environment, long-term damp will deform it
- Check all accessories'quantity before installing. If there is any shortage, please contact us in time
- Wear gloves during installation to avoid being scratched
- Each board and accessory has a number. Find them corresponding to the instruction first. If not, please contact us in time
- Do not touch water for a long time
- Do not tighten any screws during installing. Tighten all screws at lastCheck the tightness of screws regularly. Loose screws can cause tipping and injury

## Safety Warning

- Do not let children participate in the product installation. Fatal injury may occur if small accessories are swallowed or inhaled by children
- Do not allow children to climb or stand on objects to play, so as to avoid accidents caused by tilting of products
- Keep the plastic bag away from children to avoid suffocation
- Do not place overweight objects. The maximum load-bearing capacity of the product surface is 5kg (11lbs), and the maximum load-bearing capacity of each bag is 1kg (2.2lbs)

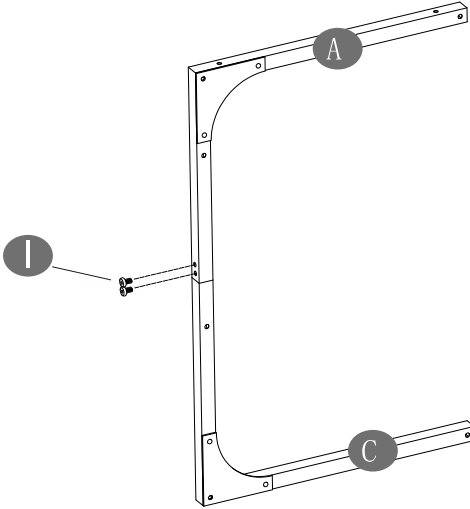


<p><b>A</b> ×1</p> 	<p><b>B</b> ×1</p> 
<p><b>C</b> ×1</p> 	<p><b>D</b> ×1</p> 
<p><b>E</b> ×1</p> 	<p><b>F</b> ×4</p> 

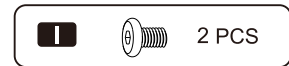
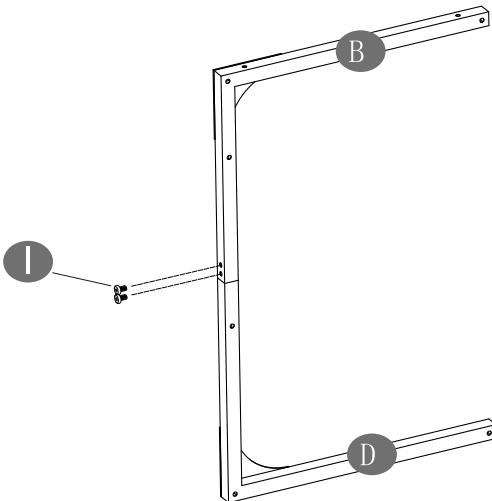
<p><b>G</b> ×2</p> 	<p><b>H</b> ×1</p> 
<p><b>I</b> 4+1</p>  <p>M6 × 12 mm</p>	<p><b>J</b> 16+1</p>  <p>M6 × 30 mm</p>
<p><b>K</b> ×4</p> 	<p><b>L</b> ×1</p> 

Do not tighten any screws during installing. Tighten all screws at last

1

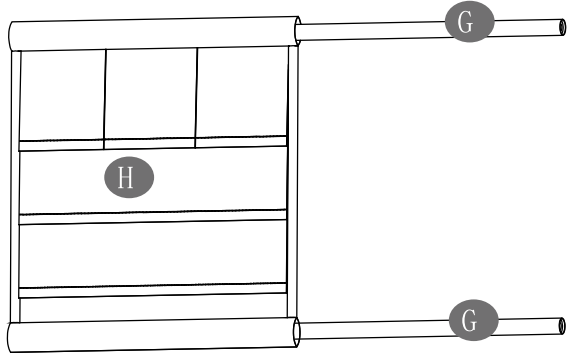


2

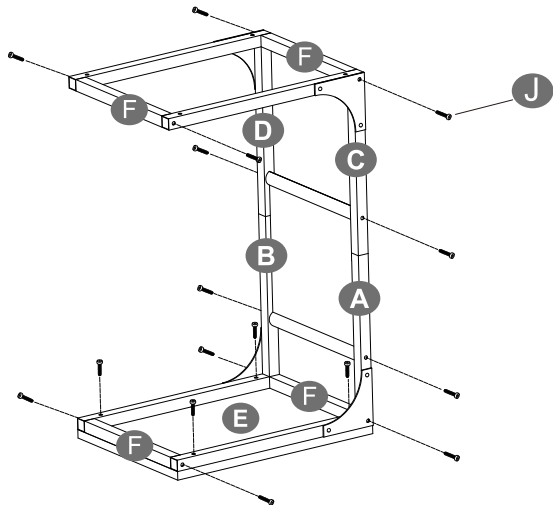





3

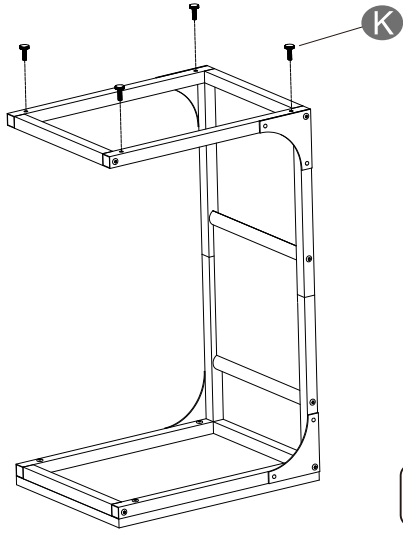


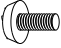
4



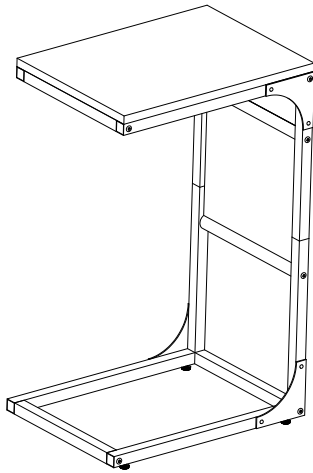
**J**  16PCS

5



**K**  4PCS

6



Please tighten all screws